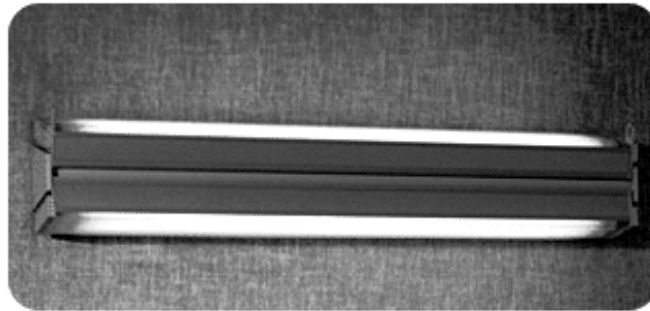


Specialite™ Patient Light (P645)

PRODUCT SPECIFICATION

Figure 1. Specialite™ Patient Light (P645)



General Specifications

The Specialite™ Patient Light (P645) is listed by Underwriters Laboratories Inc.®¹ (UL) for the United States and Canada.



The recommendation of these as well as state and local codes that apply to product installations must be obeyed in all respects:

- **United States**—National Fire Protection Association (NFPA) and *National Electrical Code*®² (NEC®)³
- **Canada**—CAN/CSA-C22.1, CAN/CSA-C22.2 No. 0

The installation contractor is responsible for compliance with all local, state, and federal codes applicable to installation.

Submittals and Verifications

Within 30 days of the receipt of the signed submittal drawings, Hill-Rom will submit complete, detailed as-built drawings. The as-built drawings will show the dimensions and details of the interface to related services.

Product Description

The Specialite™ Patient Light supplies patient lighting of these types:

- Indirect
- Reading
- Flip-over examination

To help prevent IV rod or traction equipment damage to the Specialite™ Patient Light, the unit also supplies a safety feature switch for controlled power shutoff to an electric bed.

The unit is either a 4' (122 cm) or 3' (91 cm) fluorescent fixture with two lamps for indirect light and two lamps for reading light. To help direct patient-oriented light for examination, the indirect lamp housing is hinged in the front and can be pivoted forward by means of a ring pull on both ends of the fixture. One of these control the lamps:

- A pull-chain switch installed in the fixture
- Remotely located switch
- Low-voltage controller (LVC)

If remote switches are necessary, the contractor is to supply and install the wall switches near the room's door or as shown on the construction drawings.

1. Underwriters Laboratories Inc.® is a registered trademark of Underwriters Laboratories Inc.
2. *National Electrical Code*® is a registered trademark of National Fire Protection Association, Inc.
3. NEC® is a registered trademark of National Fire Protection Association, Inc.

Specialite™ Patient Light (P645)

PRODUCT SPECIFICATION

Materials/Construction Dimension

The unit is made of steel, painted light neutral, and an anodized aluminum extrusion. The unit is supplied with two wrap-around, snap-in lenses.

The overall dimensions of the unit are as follows (see figure 2 on page 2):

- **Length**—49.5625" (125.8888 cm) (with 4' (122 cm) lamps) or 37.5625" (95.4088 cm) (with 3' (91 cm) lamps)
- **Width**—8.25" (20.96 cm)
- **Depth**—7" (18 cm)
- **Weight, with lamps**—32 lb (15 kg) (with 4' (122 cm) lamps) or 29 lb (13 kg) (with 3' (91 cm) lamps)
- **Weight, without lamps**—28 lb (13 kg) (with 4' (122 cm) lamp unit or 26 lb (12 kg) (with 3' (91 cm) lamp unit)

Electrical System

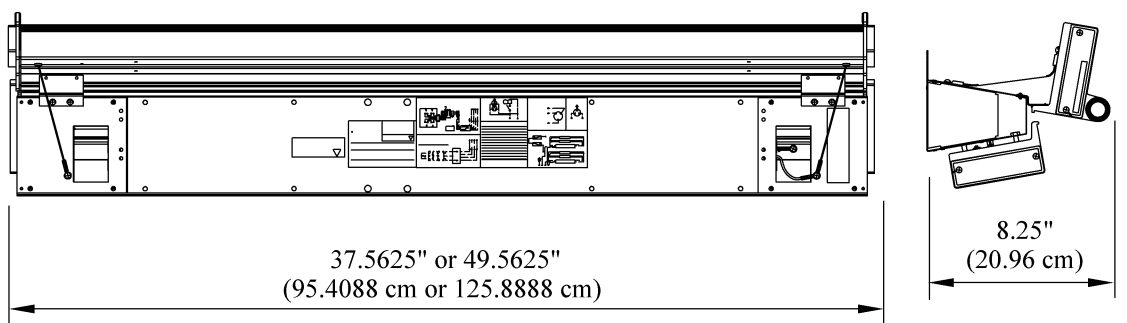
The safety circuit has two normally-closed switches, which are opened by upward movement of the lower section of the light fixture. This circuit is intended to feed the bed power receptacle, and thereby shuts off power to the bed when bed-attached equipment engages either switch. The removal of the obstacle restores power to the bed.

Lamp Requirements

Lamps are not supplied with the fixture. These fluorescent lamps are necessary:

- **3' (91 cm) lamps**—Four F25T8/RS, 25 W, rapid-start
- **4' (122 cm) lamps**—Four F32T8/RS, 32 W, rapid-start

Figure 2. Dimensions



139305_1_002

Specialite™ Patient Light (P645)

PRODUCT SPECIFICATION

Available Options

Hospital-Grade Duplex Receptacle and Chart Light

The chart light will have a 7 W lamp installed and be controlled by an integral toggle switch. The lamp is protected by a louvered faceplate to direct the light down. The same end of the fixture may contain either a 15 A, hospital-grade, duplex receptacle, colored light neutral for normal power or red for critical-branch power, and wired to the voltage connector. This option can be installed at either end of the fixture.

SideCom® Communication System

The SideCom® Communication System bed interface will be through the optional low-voltage controller (LVC) installed in the light fixture or remotely located elsewhere, such as in the Bed Locator. The LVC shall be supplied to match the voltages of the ballasts.

Specialite™ Patient Light (P645)

PRODUCT SPECIFICATION

Hill-Rom®

A HILLENBRAND INDUSTRY

1069 STATE ROUTE 46 E
BATESVILLE, IN 47006-9167 USA
Customer Service: (800) 445-3730
Technical Support: (800) 445-3720
Canada: (800) 267-2337
International: Contact your distributor.
www.hill-rom.com

Hill-Rom® is a registered trademark of Hill-Rom Services, Inc.
National Electrical Code® is a registered trademark of National Fire Protection Association, Inc.
NEC® is a registered trademark of National Fire Protection Association.
SideCom® is a registered trademark of Hill-Rom Services, Inc.
Specialite™ is a trademark of Hill-Rom Services, Inc.
Underwriters Laboratories Inc.® is a registered trademark of Underwriters Laboratories Inc.

Hill-Rom Services, Inc. (Hill-Rom) reserves the right to make changes without notice in design, specifications, and models. The only warranty Hill-Rom makes is the express written warranty extended on the sale or rental of its products.
© 2005 by Hill-Rom Services, Inc. ALL RIGHTS RESERVED.
No part of this text shall be reproduced without written permission from Hill-Rom Services, Inc.