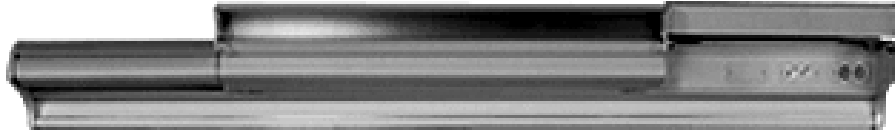


# Integris® B Lite Rail (P2003B)

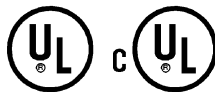
## PRODUCT SPECIFICATION

Figure 1. Integris® B Lite Rail (P2003B)



### General Specifications

The Integris® B Lite Rail (P2003B) is listed by Underwriters Laboratories Inc.®<sup>1</sup> (UL) for the United States and Canada.



Additionally, this products complies with the seismic requirements for the state of California Office of Statewide Health Planning and Development (OSHPD).

The recommendation of these as well as state and local codes that apply to product installations must be obeyed in all respects:

- **United States**—National Fire Protection Association (NFPA), *National Electrical Code*®<sup>2</sup> (NEC®<sup>3</sup>)
- **Canada**—CAN/CSA-C22.1, CAN/CSA-C22.2 No. 0

The installation contractor is responsible for compliance with all local, state, and federal codes applicable to installation.

### Submittals and Verifications

Within 30 days of the receipt of the signed submittal drawings, Hill-Rom will submit complete, detailed as-built drawings. The as-built drawings will show the dimensions and details of the interface to related services.

### Product Description

The Integris® B Lite Rail supplies an equipment management track and patient lighting of these types:

- Indirect
- Reading
- Flip-over examination

To help prevent IV rod or traction equipment hazard to the Integris® B Lite Rail, the unit also supplies a safety feature switch for controlled power shutoff to an electric bed. The unit is a single piece of extruded aluminum with double-lamp direct and double-lamp indirect lighting. One of these controls the lamps:

- A pull-chain switch installed in the fixture
- Remotely located switch
- Low-voltage controller (LVC)

If remote switches are necessary, the contractor will supply and install the wall switches near the room's door or as shown on the construction drawings.

### Equipment Management Track

The equipment management track supplies horizontal equipment management capability for applicable accessories from Hill-Rom such as IV hooks and cable organizers. For installations in California, it may be necessary for this feature to have a back plate behind the wall to supply structural support.

1. Underwriters Laboratories Inc.® is a registered trademark of Underwriters Laboratories Inc.  
2. *National Electrical Code*® is a registered trademark of National Fire Protection Association, Inc.  
3. NEC® is a registered trademark of National Fire Protection Association, Inc.

# Integris® B Lite Rail (P2003B)

## PRODUCT SPECIFICATION

### Flip-Over Examination Light

The indirect lamp housing is hinged in the front and can be turned forward by means of a ring pull on both ends of the fixture to aid direct patient-oriented lighting for examination.

### Materials/Construction Dimension

The unit is steel and aluminum extrusion, painted warm white. The unit is supplied with two snap-in lenses. The overall dimensions of the unit are as follows (see figure 2 on page 2):

- **Length**—78" to 108" (198 cm to 274 cm) per section

**NOTE:**

For units of longer lengths, multiple sections may be used with transition sleeves.

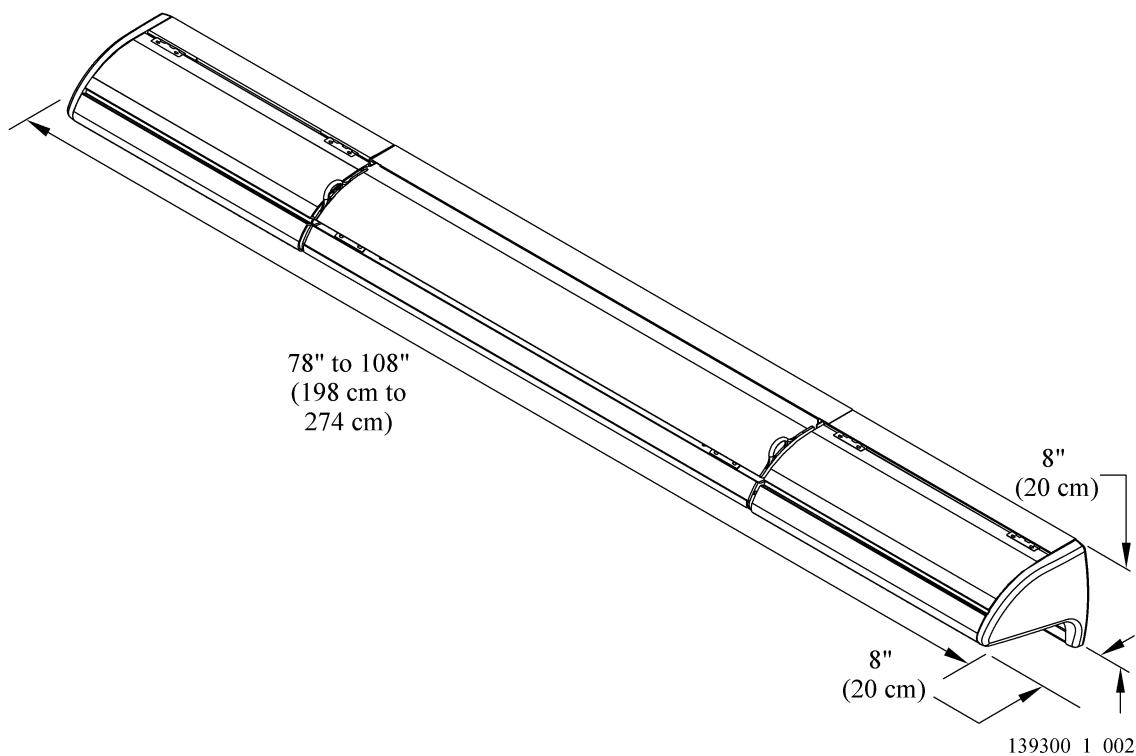
- **Height**—8" (20 cm)
- **Depth**—8" (20 cm)

### Electrical System

The safety circuit has two normally-closed switches that are opened by upward movement of the lower section of the light fixture. This circuit is intended to feed the bed power receptacle, and thereby shuts off power to the bed when bed-attached equipment engages either switch. The removal of the obstacle restores power to the bed.

Depending on the length of the Integris® B Lite Rail, single-gang devices, such as receptacles or data provisions, may be installed on either side of the light fixture.

Figure 2. Dimensions



# Integris® B Lite Rail (P2003B)

## PRODUCT SPECIFICATION

### Lamp Requirements

Lamps are not supplied with the fixture. For the best fit, the recommended fluorescent lamps are 32W/48T8/RS. The specifications for these lamps are detailed in American National Standards Institute (ANSI) 78.1.

### Light Performance (32W/48T8/RS Fluorescent Lamps Only)

For light performance readings, refer to table 1 below.

**Table 1. Light Performance**

Exam Position	Read Only	Room Only	Reading + Exam
Head flat	27 fc	6.5 fc	56 fc
Seat flat	9.2 fc	5.6 fc	25.2 fc
Foot flat	2.2 fc	3.4 fc	8.4 fc

**NOTE:**

Readings are in footcandles (fc), measured on the bed's surface 24" (61 cm) above the floor, with the bed 12" (30 cm) away from the wall, and the light installed 69" (175 cm) above the floor.

### Electrical Receptacles

All electrical receptacles are UL-listed for the United States and either CSA-certified or cUL-listed for Canada. 15 A and 20 A receptacles are rated 125 V AC hospital-grade and marked accordingly. 30 A receptacles are rated 250 V AC specification-grade or better.

Electrical receptacles are available in these types:

- **Single and duplex**—National Electrical Manufacturers Association (NEMA)-style 5-15R or 5-20R. The standard color of ivory and red are used: ivory for normal power circuits and red for emergency or critical-branch power circuits.

**NOTE:**

In some states and municipalities, "critical-branch power" may be referred to as "emergency power."

- **Tamper-resistant**—duplex-type, 15 A or 20 A, 125 V, NEMA-style 5-15 R or 5-20R. The color is ivory for standard power circuits and red for on critical-branch power circuits. The receptacles limit incorrect access to energized contacts and accept both two-wire or three-wire plugs.
- **Locking**—20 A, 125 V, black Hubbellock®<sup>1</sup> #23000 HG, or 30 A, 250 V, black.
- **Isolated ground**—duplex-type, 15 A, 125 V, NEMA-style 5-15R. The color is orange. The receptacle will have a ground conductor installed and routed to the large junction box. The electrical contractor will make sure it is connected to an adequate ground system.

---

1. Hubbellock® is a registered trademark of Hubbell, Inc.

# Integris® B Lite Rail (P2003B)

## PRODUCT SPECIFICATION

### Available Options

#### SideCom® Communication System

The SideCom® Communication System bed interface is through the optional low-voltage controller (LVC) installed in the light fixture or remotely located elsewhere, such as in the Bed Locator. The LVC is supplied to match the voltages of the ballasts—120 V, 240 V, or 277 V.

#### Additional Options

For other available options, contact Hill-Rom.

# Hill-Rom®

A HILLENBRAND INDUSTRY

1069 STATE ROUTE 46 E  
BATESVILLE, IN 47006-9167 USA  
Customer Service: (800) 445-3730  
Technical Support: (800) 445-3720  
Canada: (800) 267-2337  
International: Contact your distributor.  
[www.hill-rom.com](http://www.hill-rom.com)

Hill-Rom® is a registered trademark of Hill-Rom Services, Inc.  
Integris® is a registered trademark of Hill-Rom Services, Inc.  
*National Electrical Code®* is a registered trademark of National Fire Protection Association, Inc.  
NEC® is a registered trademark of National Fire Protection Association.  
SideCom® is a registered trademark of Hill-Rom Services, Inc.  
Underwriters Laboratories Inc.® is a registered trademark of Underwriters Laboratories Inc.

Hill-Rom Services, Inc. (Hill-Rom) reserves the right to make changes without notice in design, specifications, and models. The only warranty Hill-Rom makes is the express written warranty extended on the sale or rental of its products.  
© 2005 by Hill-Rom Services, Inc. ALL RIGHTS RESERVED.  
No part of this text shall be reproduced without written permission from Hill-Rom Services, Inc.