



Subject: Hill-Rom® Overbed Light (P005190) and (P005191) to Wall Box— Installation Instructions

Tools required:	Screwdriver	Level
	Tape measure	Wire strippers
	T-square	Pliers
Parts required:	Electrical fittings	Wire nuts
	(7) F55BX/RS 55W BIAX	Lamps

Introduction

The Hill-Rom®¹ Overbed Light (see figure 1 on page 3) is designed for the 1.00" (2.54 cm) T-bar grid systems with vertical grid T thickness of less than 0.50" (13 mm). Grid systems can be installed with standard 24" (61 cm) x 48" (122 cm) vertical spacing of the centerline of the grid. The light hangs inside the grid (see figure 5 on page 7).

General Information



WARNING:

Make sure all national and local building and electrical codes are followed when the installation is accomplished. These products are to be installed in accordance with the NFPA 70 *National Electric Code*®² (NEC) and NFPA 99 *Health Care Facilities* code. Canadian installations are to be installed in accordance with Part - 1 and 2 of the Canadian Standards Code (CSA-C22.1 and CSA-C22.2 No. 0-M91 respectively, by the Canadian Standards Association). Failure to install the product in accordance with these requirements could cause injury and equipment damage.

- Install the Hill-Rom® Overbed Light in accordance with all national, state or provincial, and local build and electric codes.
- Make sure the product has not been damaged in shipment.
- Refer to your original purchase order to make sure all of the components have been shipped.



WARNING:

Read all of the installation instructions before you install the light. Failure to do so could cause injury and equipment damage.

- Read all of the installation instructions before you do the installation.
- Make sure all applicable trades persons are available for the installation of the light.

1. Hill-Rom® is a registered trademark of Hill-Rom Services, Inc.

2. *National Electric Code*® is a registered trademark of National Fire Protection Association, Inc.



WARNING:

Do not install insulation within 3.00" (7.62 cm) of any part of the Hill-Rom® Overbed Light. To do so could cause injury or equipment damage.

Electrical Ratings

Electrical Ratings (confirm rated voltage from the device label):

Line voltage: 120 V AC, 60 Hz.

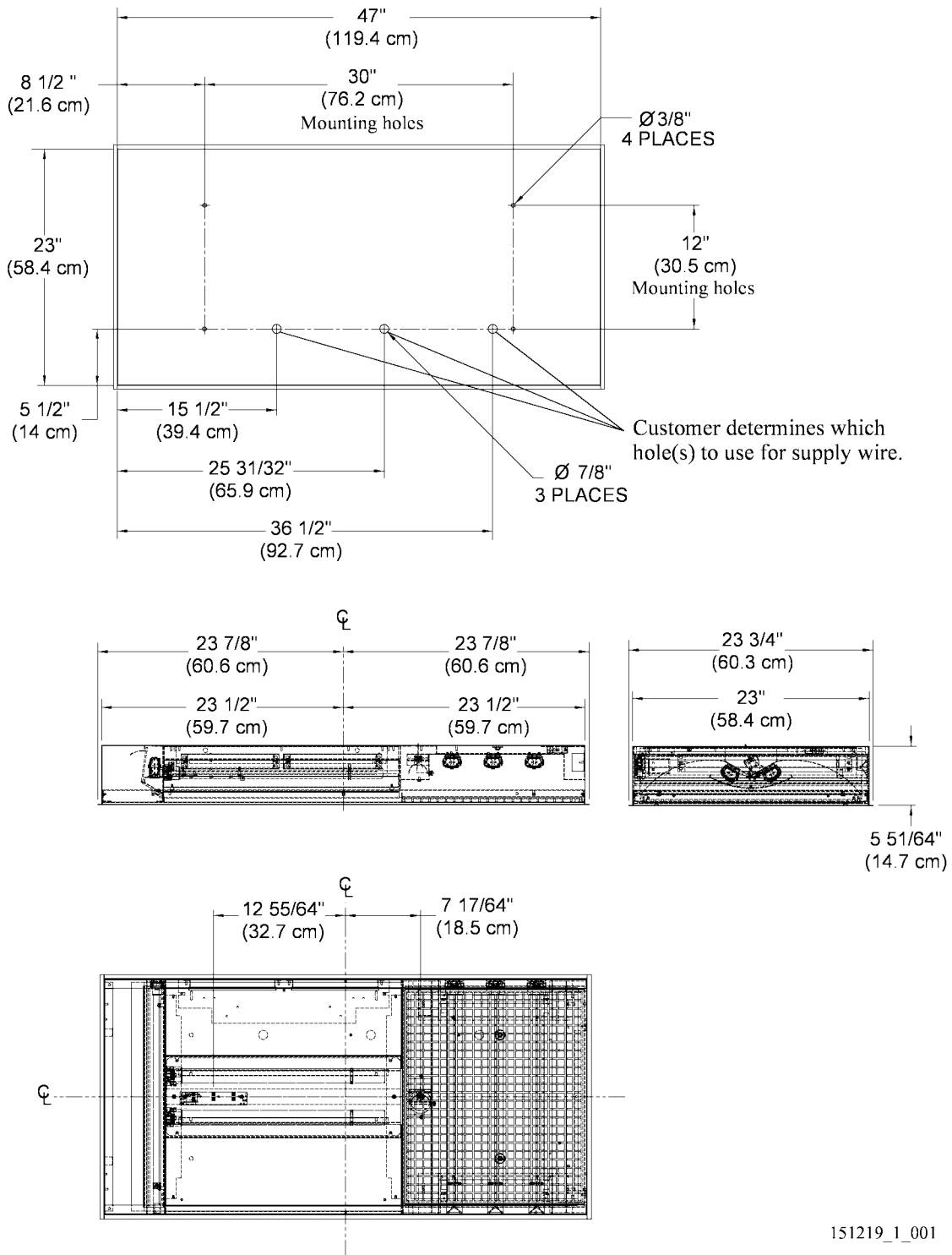
or

277 V AC, 60 Hz.

Line VA: Multiply the total lamp wattage by 1.5.



Figure 1. Hill-Rom® Overbed Light



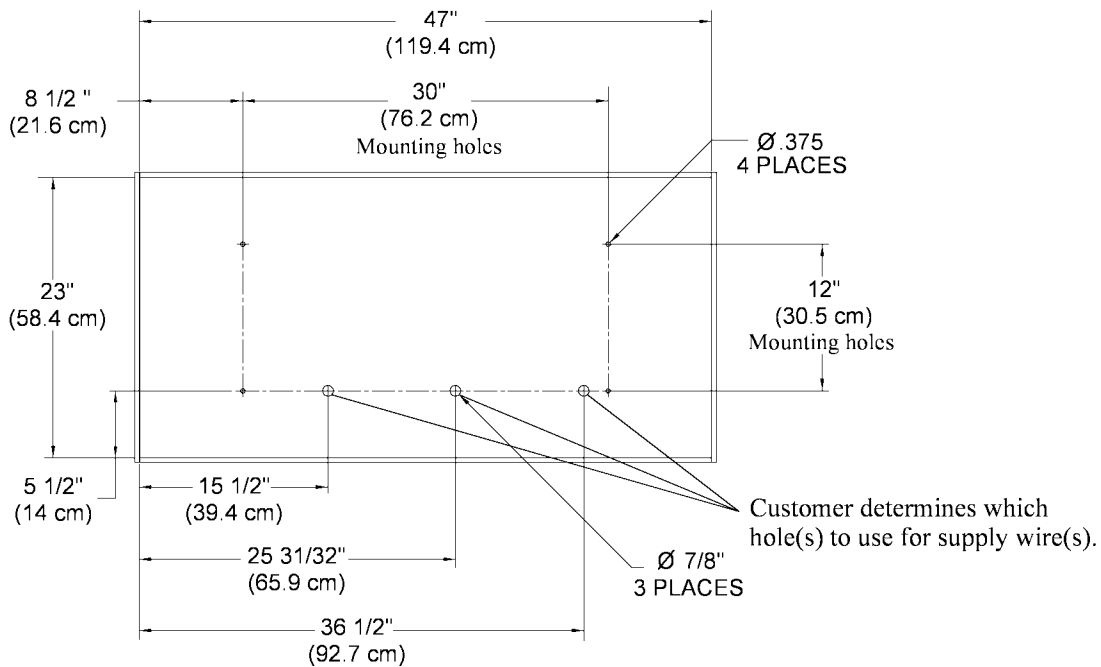
The lamps are supplied by the install contractor.
Lamp type: F55BX/RS 55W BIAX—7 each.



Install the Eyebolts onto the Hill-Rom® Overbed Light

Figure 2 on page 4 shows the location of the eyebolt assemblies on the Hill-Rom® Overbed Light.

Figure 2. Eyebolt Assembly Locations on the Hill-Rom® Overbed Light

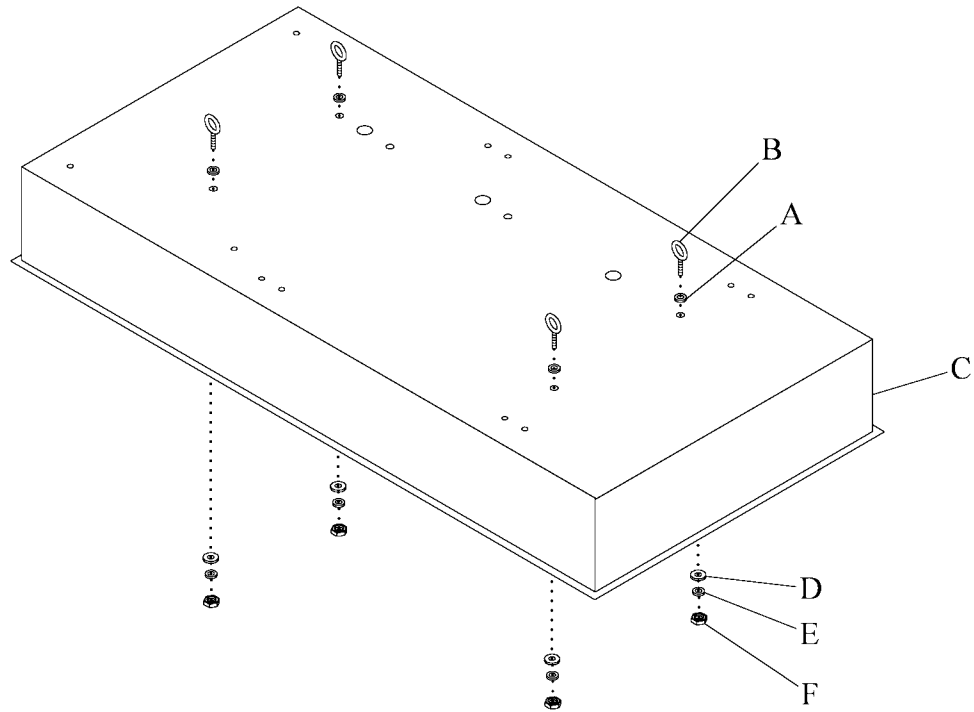


151219_1_005

1. Thread the four standard 1/4" - 20 hex nuts (A) onto the four eyebolts (B) (see figure 3 on page 5).
2. Slip the four eyebolt (B) and hex nut (A) assemblies through the Hill-Rom® Overbed Light (C)
3. From the inside of the Hill-Rom® Overbed Light (C), install the rubber washer (D) onto each of the four eyebolt (B) assemblies.
4. From the inside of the Hill-Rom® Overbed Light (C), install the nylon washer (E) onto each of the four eyebolt (B) assemblies.
5. From the inside of the Hill-Rom® Overbed Light (C), install the hex nut (F) onto each of the four eyebolt (B) assemblies
6. Tighten the four hex nuts (F) to attach the four eyebolt (B) assemblies onto the Hill-Rom® Overbed Light (C).



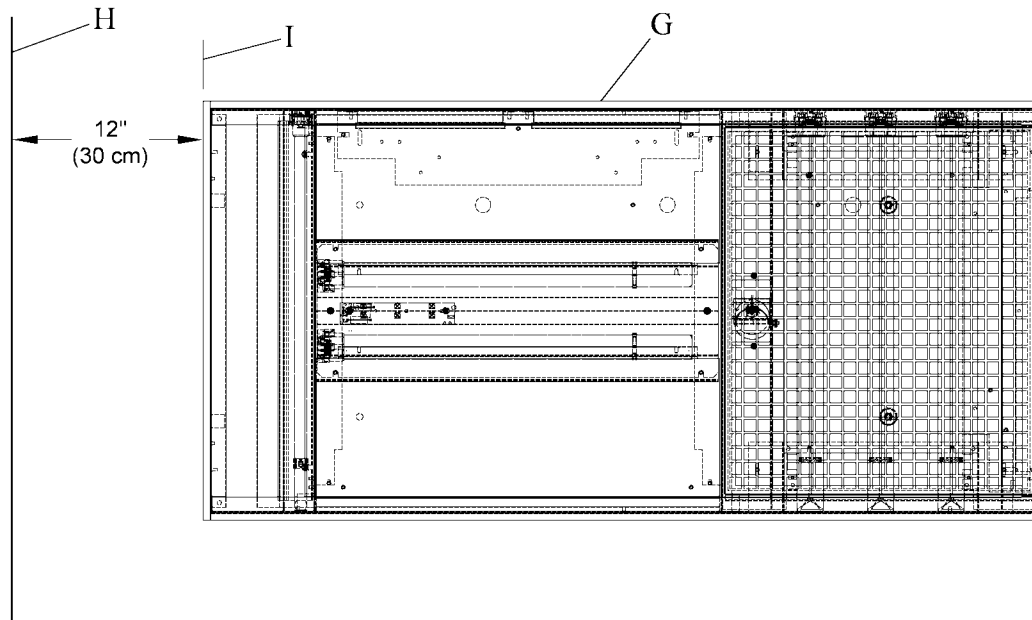
Figure 3. Install the Eyebolts onto the Hill-Rom® Overbed Light



151219_1_003

Locate the Hill-Rom® Overbed Light

1. Center the Hill-Rom® Overbed Light (G) over the bed (see figure 4 on page 6).
2. Put the Hill-Rom® Overbed Light (G) 12" (30 cm) between the headwall (H) and the headwall end of the light (I).

Figure 4. Locate the Hill-Rom® Overbed Light

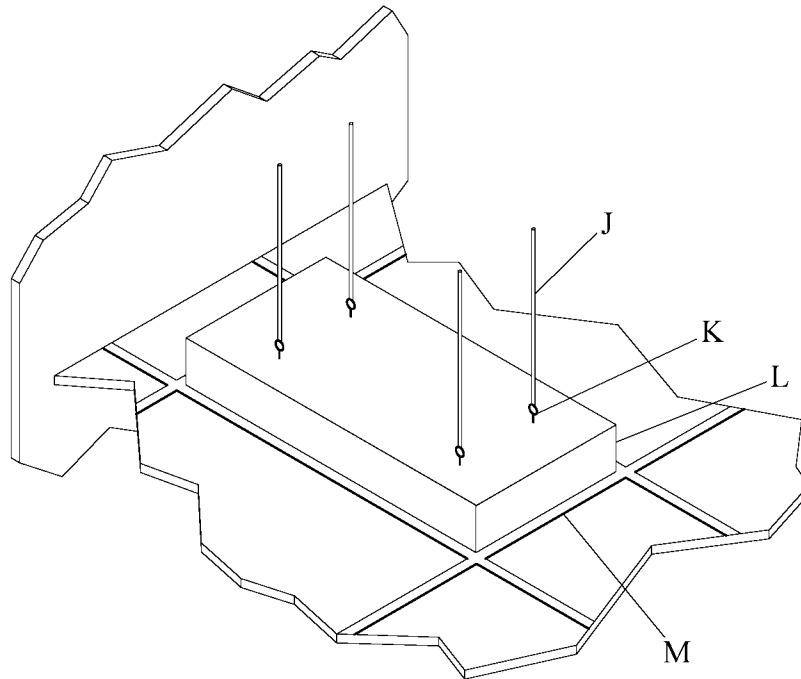
151219_1_002

Hill-Rom® Overbed Light Position

1. Attach the four guide wires (J) (supplied by the install contractor) to the four anchor points in the roof or the above floor slab (see figure 5 on page 7).
2. Attach the opposite ends of the four guide wires (J) to the four eyebolt (K) assemblies on the Hill-Rom® Overbed Light (L).
3. Adjust the four guide wires (J) to allow the Hill-Rom® Overbed Light (L) to hang inside the T track (M).



Figure 5. Hill-Rom® Overbed Light Position



151219_1_004

Power Connection to Hill-Rom® Overbed Light



WARNING:

Make sure all national and local building and electrical codes are followed when the installation is accomplished. These products are to be installed in accordance with the NFPA 70 *National Electric Code*®¹ (NEC) and NFPA 99 *Health Care Facilities* code. Canadian installations are to be installed in accordance with Part - 1 and 2 of the Canadian Standards Code (CSA-C22.1 and CSA-C22.2 No. 0-M91 respectively, by the Canadian Standards Association). Failure to install the product in accordance with these requirements could cause injury and equipment damage.



WARNING:

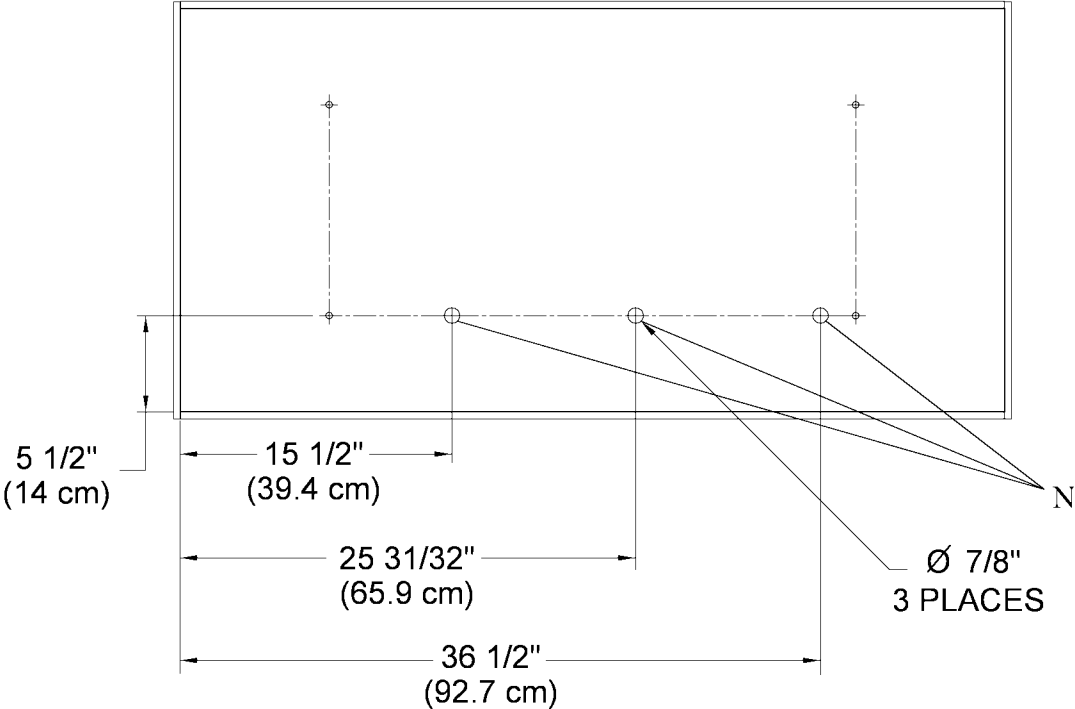
Remove the power to the electric power lines before you connect the power wires. Failure to do so could cause injury or death.

Route the power lines through the hole(s) (N) (see figure 6 on page 8) and connect the electrical power to the Hill-Rom® Overbed Light in accordance with all national, state or provincial, and local building and electric codes.

1. *National Electric Code*® is a registered trademark of National Fire Protection Association, Inc.



Figure 6. Power Connection to Hill-Rom® Overbed Light



151219_1_007

- 4. Wire the Hill-Rom® Overbed Light. Use one of the four schematic options shown in figure 7 through figure 10 on page 9 through page 12.

NOTE:

The supply connections are to be made to a single circuit.

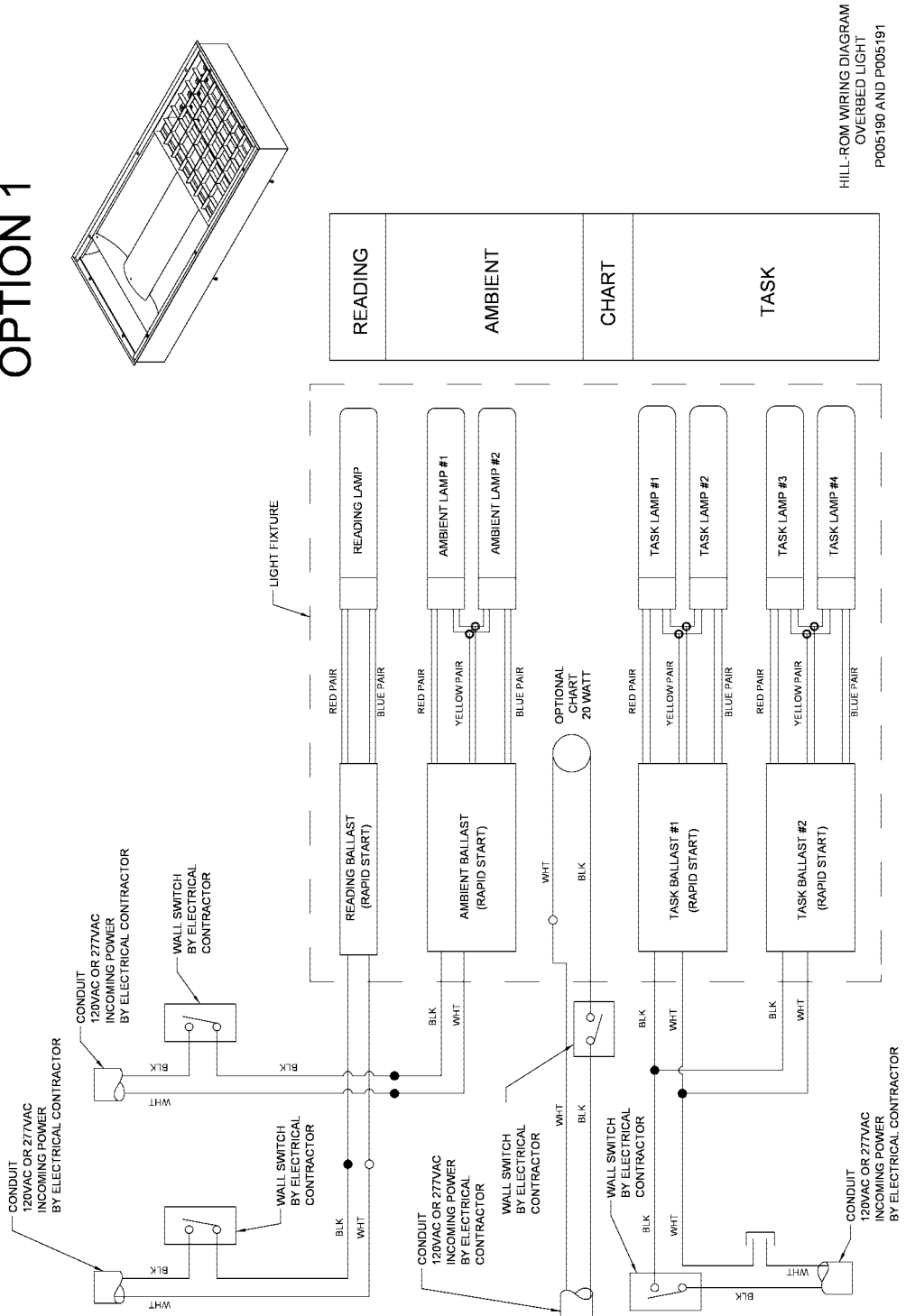
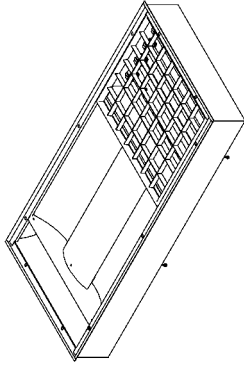


WARNING:

The light is thermally protected. If the light starts to blink, it may indicate that an overheat condition exists. Failure to remove power from the light when the light blinks could cause injury or equipment damage.

Figure 7. Hill-Rom® Overbed Power Connection Schematic—Option 1

OPTION 1

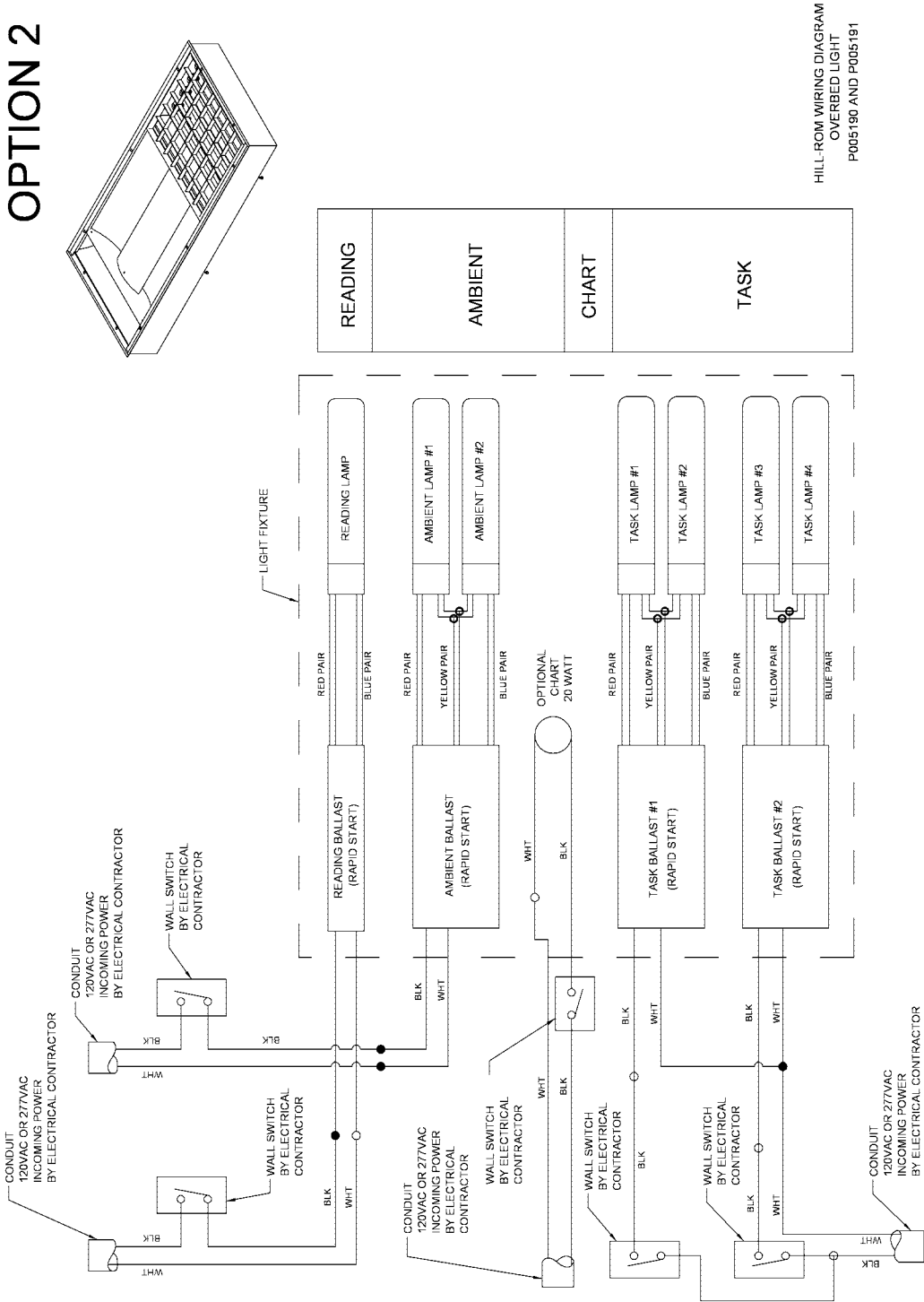
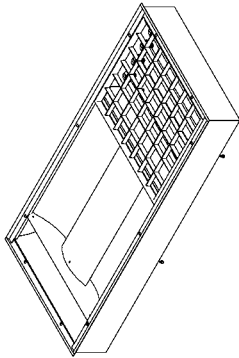


HILL-ROM WIRING DIAGRAM
OVERBED LIGHT
P005190 AND P005191

151219_1_008

Figure 8. Hill-Rom® Overbed Power Connection Schematic—Option 2

OPTION 2



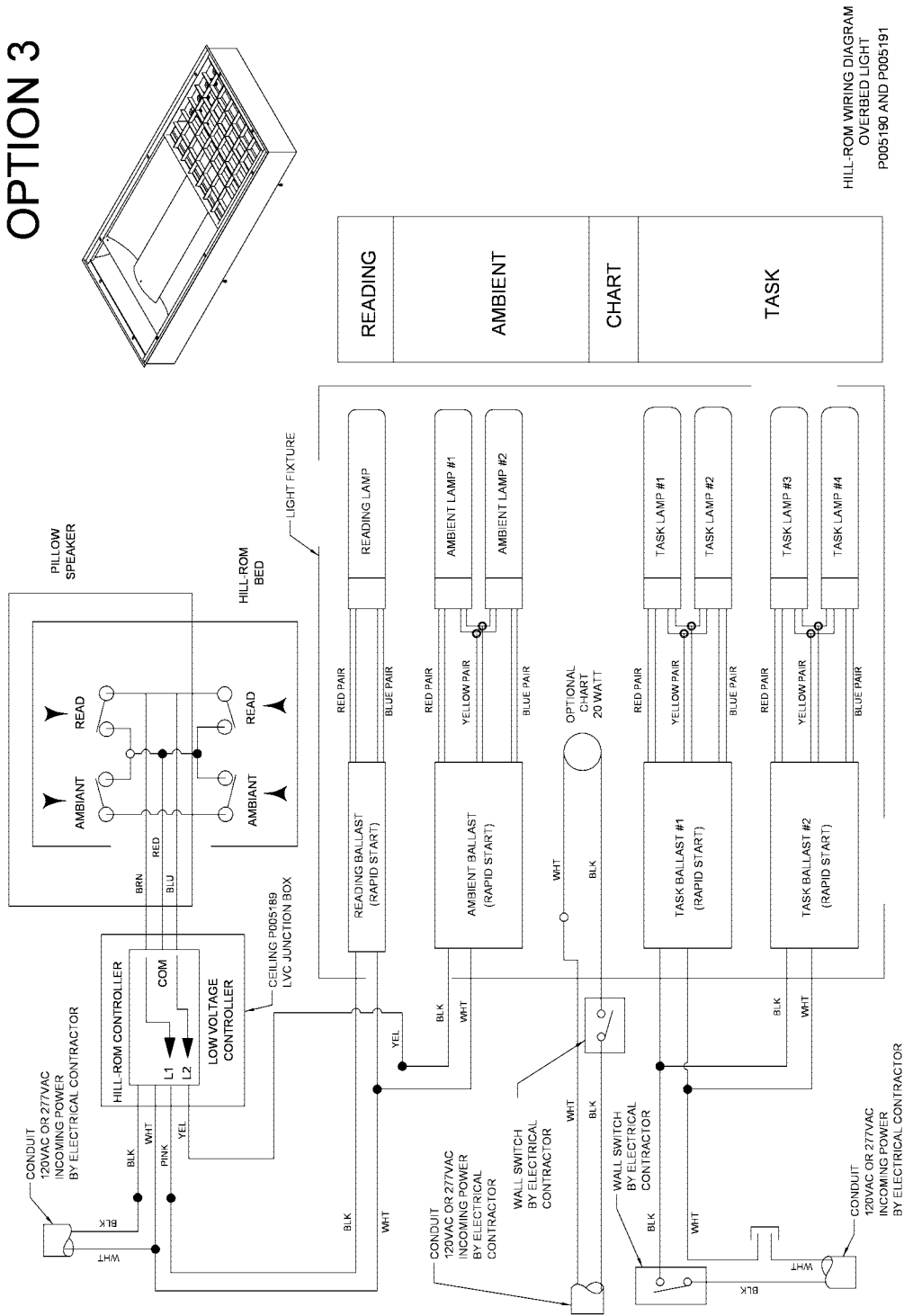
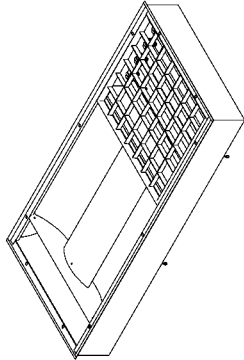
HILL-ROM WIRING DIAGRAM
OVERBED LIGHT
P005190 AND P005191

151219_1_009



Figure 9. Hill-Rom® Overbed Power Connection Schematic—Option 3

OPTION 3

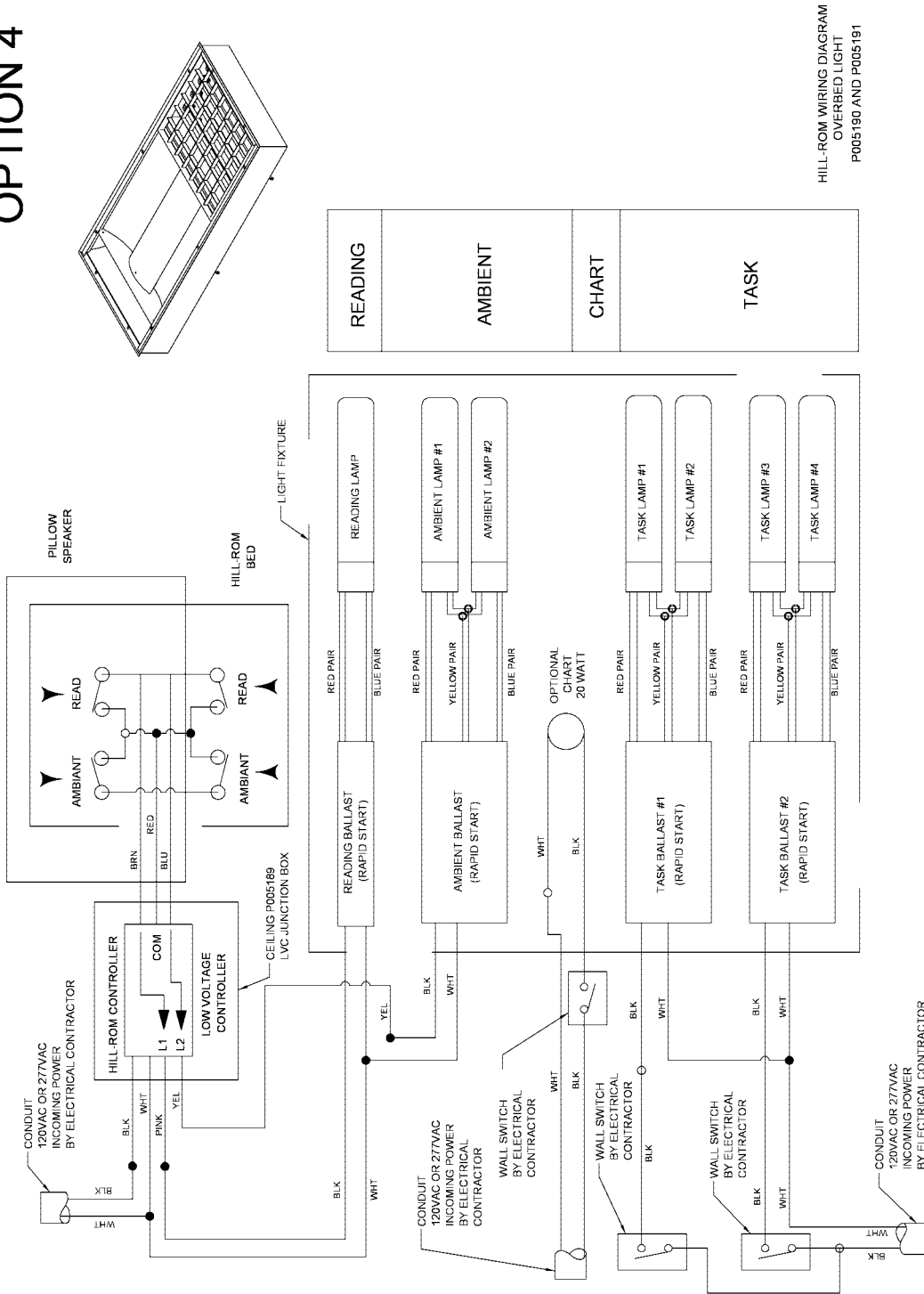


HILL-ROM WIRING DIAGRAM
OVERBED LIGHT
P005180 AND P005191

151219_1_010

Figure 10. Hill-Rom® Overbed Power Connection Schematic—Option 4

OPTION 4



HILL-ROM WIRING DIAGRAM
OVERBED LIGHT
P005190 AND P005191

151219_1_011