



Subject: Hill-Rom® Lightbox Light (P005192) to Wall Box—Installation Instructions

Tools required:	Screwdriver	Level
	Tape measure	Wire strippers
	T-square	Pliers
Parts required:	Electrical fittings	Wire nuts
	(4) F28T5	Lamps

Introduction

The Hill-Rom®¹ Lightbox Light (see figure 1 on page 3) is designed for the 1.00" (2.54 cm) T-bar grid systems with a vertical grid T thickness of less than 0.50" (13 mm). Grid systems can be installed with standard 24" (61 cm) x 48" (122 cm) vertical spacing of the centerline of the grid. The light hangs inside the grid.

General Information



WARNING:

Make sure all national and local building and electrical codes are followed when you do this installation. These products are to be installed in accordance with the NFPA 70 *National Electric Code*®² (NEC) and NFPA 99 *Health Care Facilities* code. Canadian installations are to be installed in accordance with Part - 1 and 2 of the Canadian Standards Code (CSA-C22.1 and CSA-C22.2 No. 0-M91 respectively, by the Canadian Standards Association). Failure to install the product in accordance with these requirements could cause injury and equipment damage.

- Install the Hill-Rom® Lightbox Light in accordance with all national, state or provincial, and local building and electric codes.
- Make sure the product has not been damaged in shipment.
- Refer to your original purchase order to make sure all of the components have been shipped.



WARNING:

Read all of the installation instructions before you install the light. Failure to do so could cause injury and equipment damage.

- Read all of the installation instructions prior to the installation.
- Make sure all applicable trades persons are available for the installation of the light.

1. Hill-Rom® is a registered trademark of Hill-Rom Services, Inc.

2. *National Electric Code*® is a registered trademark of National Fire Protection Association, Inc.



WARNING:

Do not install insulation within 3.00" (7.62 cm) of any part of the Hill-Rom® Lightbox Light. To do so could cause injury or equipment damage.

Electrical Ratings

Electrical Ratings (confirm rated voltage from the device label):

Line voltage: 120 V AC, 60 Hz.

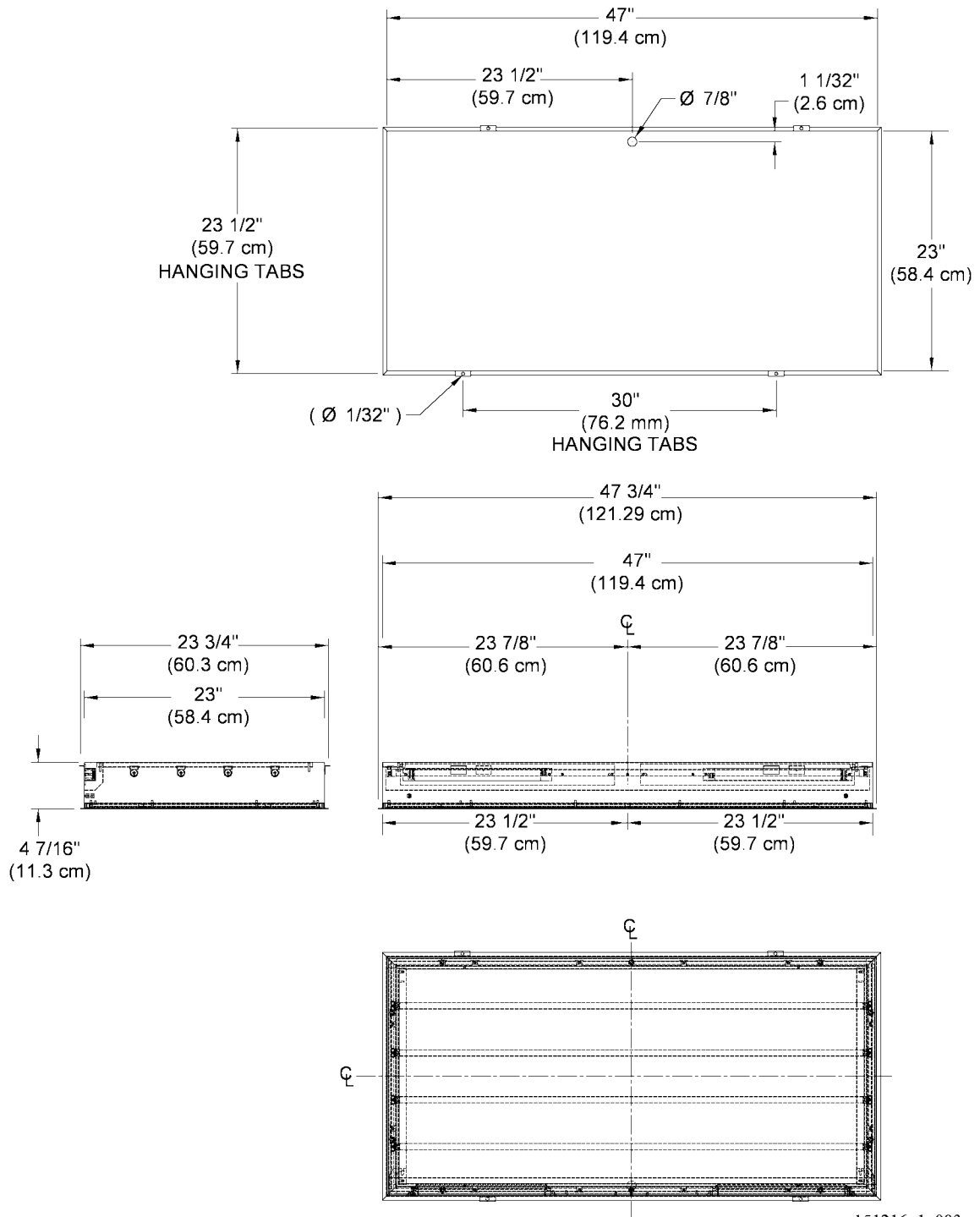
or

277 V AC, 60 Hz.

Line VA: Multiply the total lamp wattage by 1.5.



Figure 1. Hill-Rom® Lightbox Light

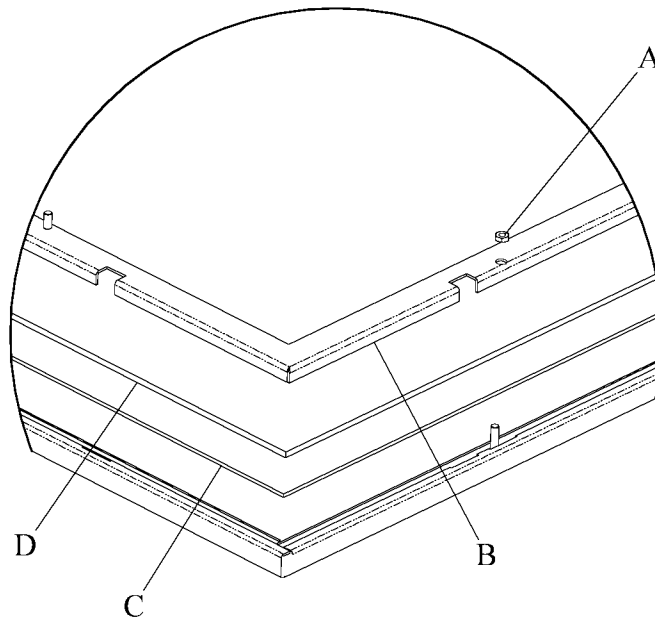


151216_1_003

Install the Graphic Panel

1. Loosen the door screws and remove the door.
2. Remove the 12 hex nuts (A) that attach the diffuser bracket (B) and the diffuser lens (C) to the graphic panel (D) (see figure 2 on page 4).
3. Remove the diffuser bracket (B)
4. Remove the graphic panel (D).
5. Remove the diffuser lens (C).
6. Reinstall the graphic panel in the reverse order.

Figure 2. Install the Graphic Panel



151216_1_001

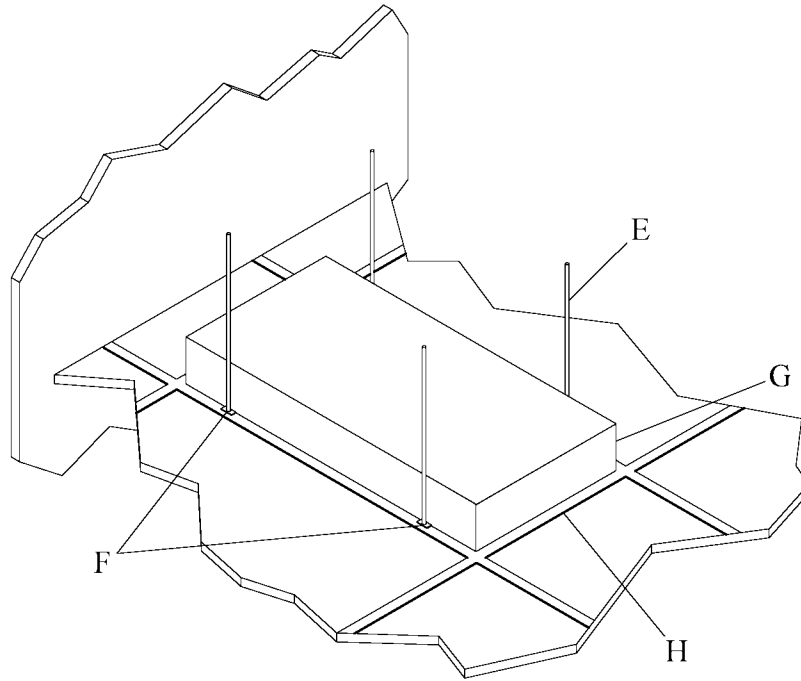
Hill-Rom® Lightbox Light Position

1. Attach the four guide wires (E) (supplied by the contractor) to the four anchor points in the roof or the above floor slab (see figure 3 on page 5).
2. Attach the opposite ends of the four guide wires (E) to the four hang tabs (F) in the Hill-Rom® Lightbox Light (G).



3. Adjust the four guide wires (A) to allow the Hill-Rom® Lightbox Light (G) to hang inside the T track (H).

Figure 3. Hill-Rom® Lightbox Light Position



151216_1_006

The lamps are supplied by the contractor.

Lamp type: F28T5—4 each.

Power Connection to the Hill-Rom® Lightbox Light



WARNING:

Make sure all national and local building and electrical codes are followed during the installation. These products are to be installed in accordance with the NFPA 70 *National Electric Code*®¹ (NEC) and NFPA 99 *Health Care Facilities* code. Canadian installations are to be installed in accordance with Part - 1 and 2 of the Canadian Standards Code (CSA-C22.1 and CSA-C22.2 No. 0-M91 respectively, by the Canadian Standards Association). Failure to install the product in accordance with these requirements could cause injury and equipment damage.



WARNING:

Remove the power to the electric power lines before you connect the power wires. Failure to do so could cause injury or death

1. Route the power lines through the hole (I) (see figure 4 on page 7).
2. Connect the electrical power to the Hill-Rom® Lightbox Light in accordance with the applicable option schematic as shown in figure 5 on page 8 or figure 6 on page 9 and all national, state or provincial, and local building and electric codes.



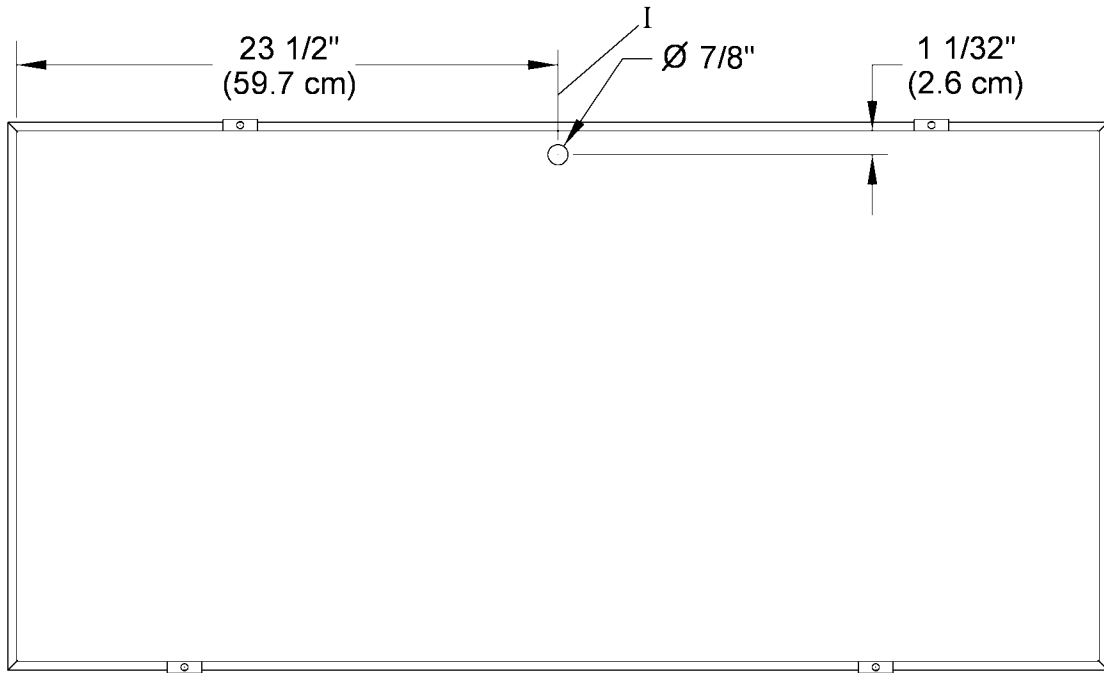
CAUTION:

The light is thermally protected. If the light starts to blink, it may indicate that an overheat condition exists. Failure to remove power from the light when the light blinks could cause equipment damage.

1. *National Electric Code*® is a registered trademark of National Fire Protection Association, Inc.



Figure 4. Power Connection to the Hill-Rom® Lightbox Light

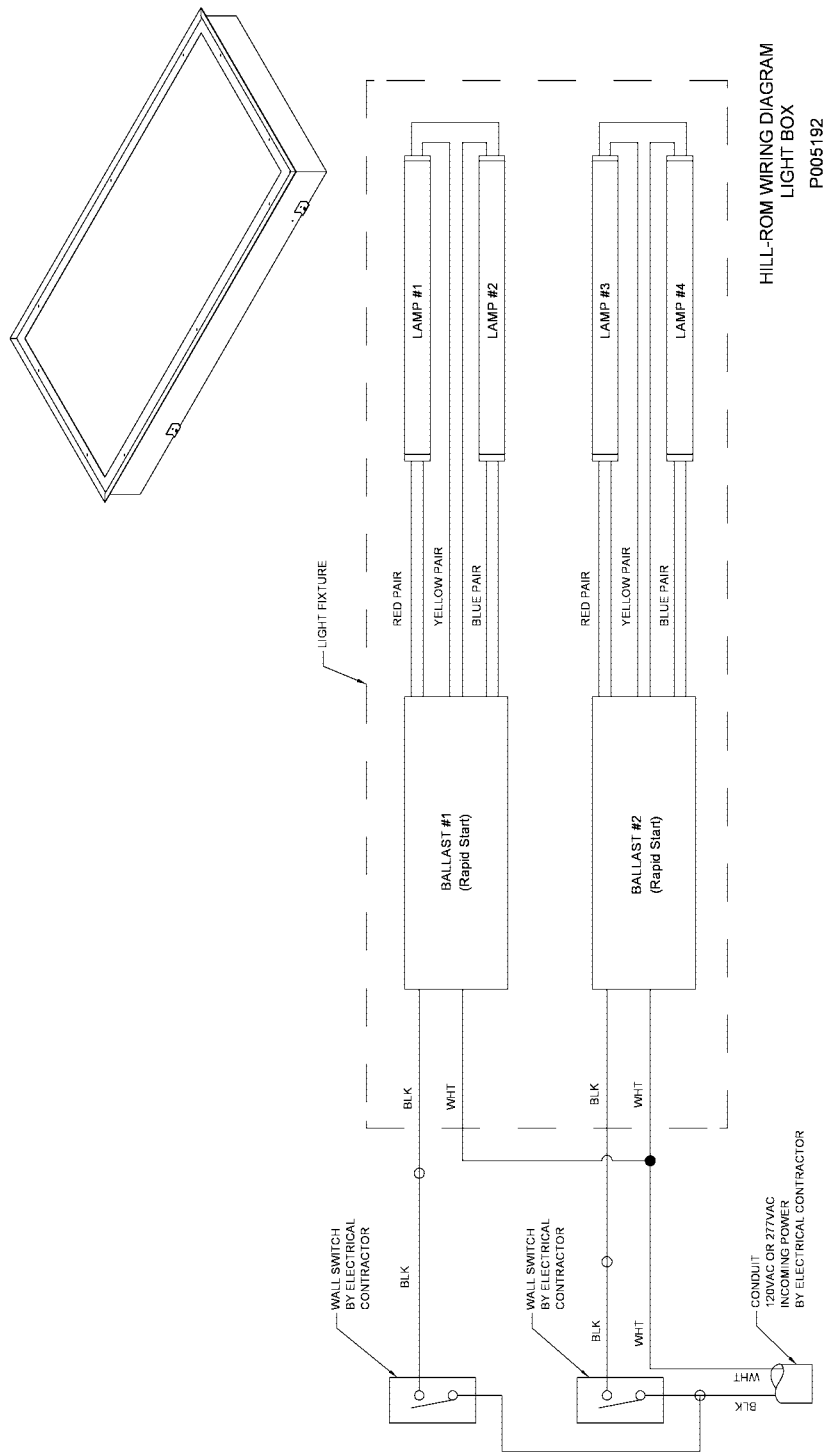


151216_1_002



Figure 5. Hill-Rom® Lightbox Light Power Connection Schematic—Option 1

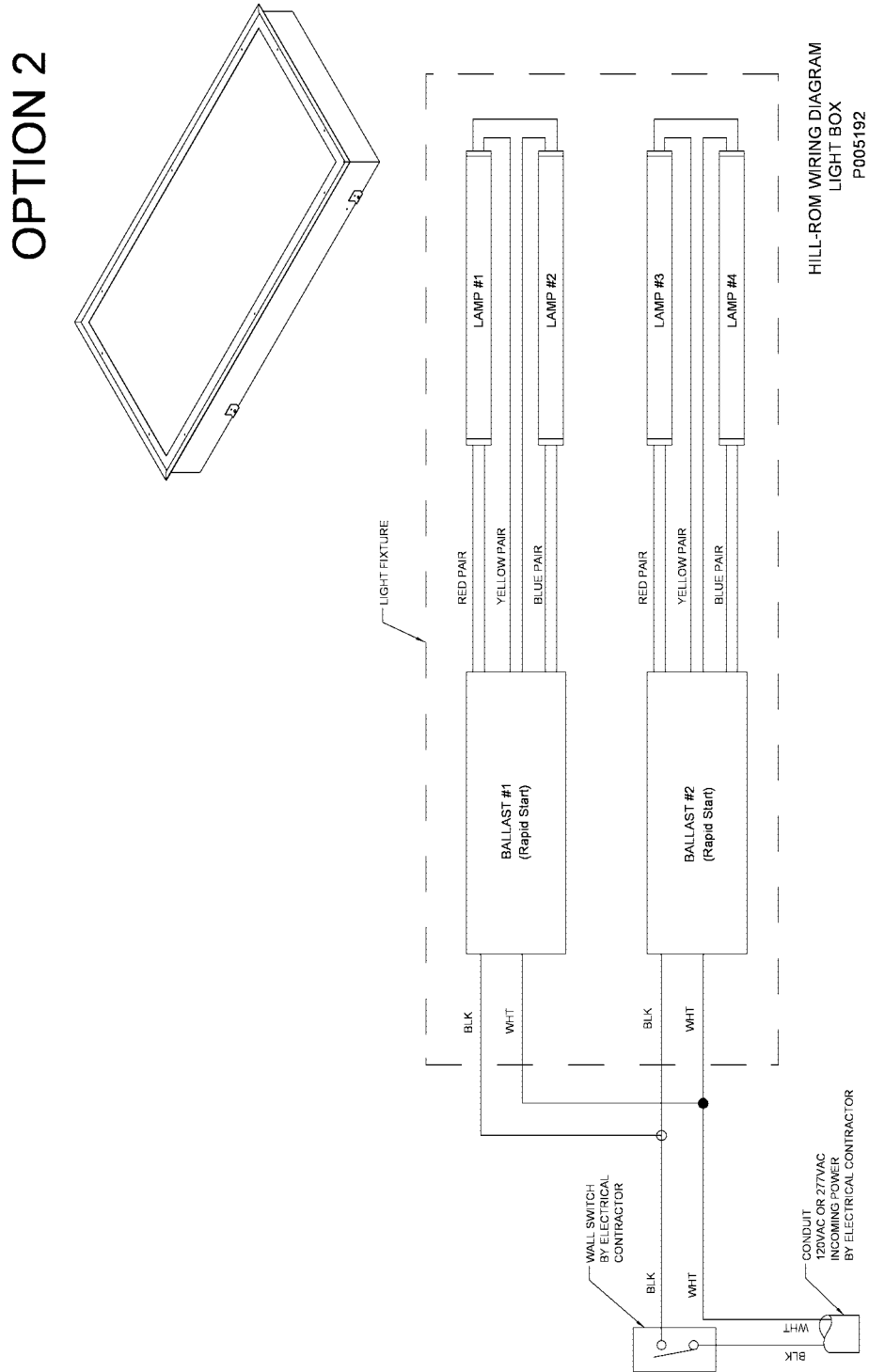
OPTION 1



151216_1_004



Figure 6. Hill-Rom® Lightbox Light Power Connection Schematic—Option 2



151216_1_005



NOTES:
