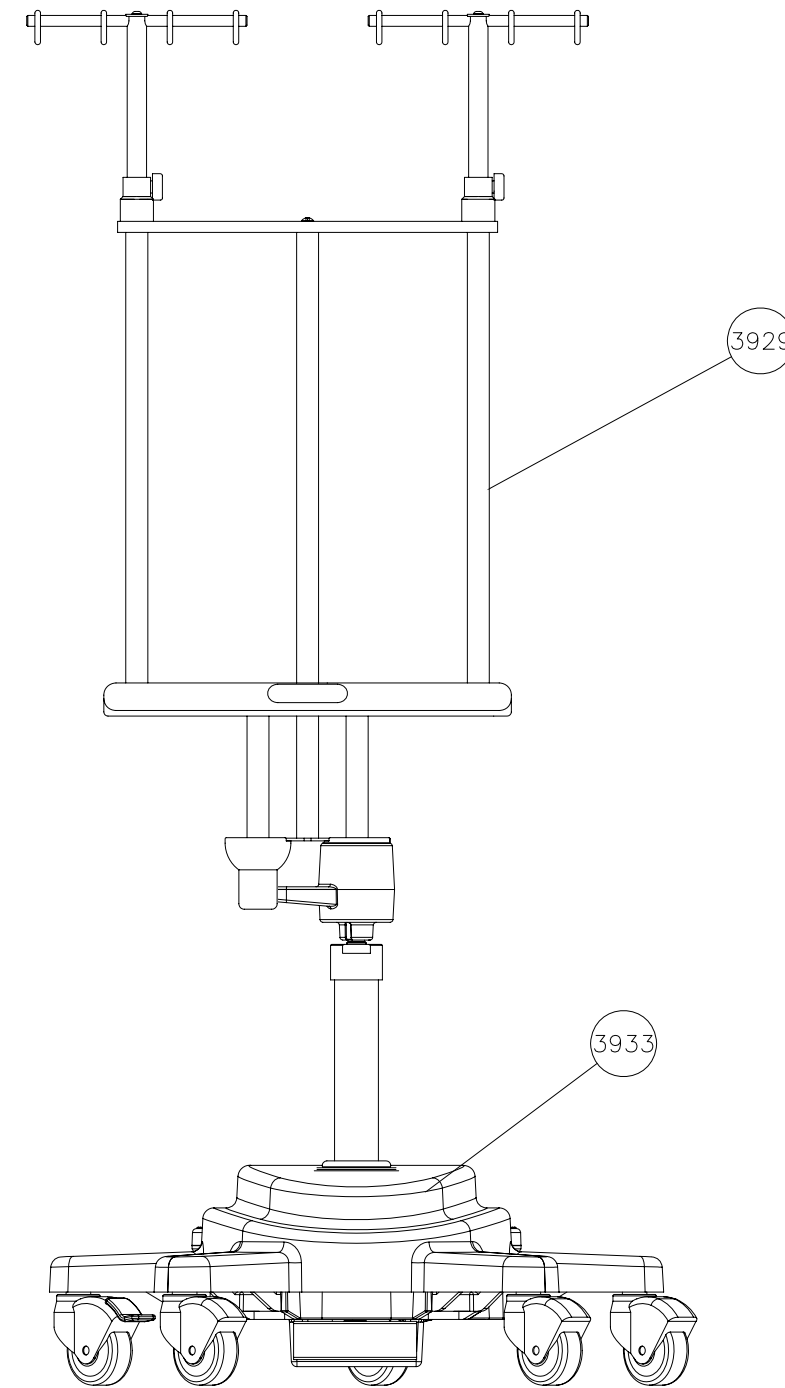


REV.	DATE	CHANGE DESCRIPTION	Made By:

IMD

DWG 94
Unit ID:G94



MISC ITEM #	QTY	PART #	DESCRIPTION
3929	1	P2350A01	IMD RACK - 3 POLE
3933	1	P2351A01	IMD CART



NOTICE:

The drawings and all information thereon is property of:
HILL-ROM COMPANY, Inc.
Batesville, Indiana
This drawing and information thereon, is confidential, and must not be made public, copied or used to disadvantage of said Hill-Rom Company, Inc. It is subject to return on demand.

PATIENT ENVIRONMENT
1069 State Route 46 East
Batesville, Indiana 47006
Ph: (812) 934-7777
www.hill-rom.com



Project Manager:	Customer:	Date:	Scale:
CPT:	PE:	3/27/2008	NONE
Checked By:	Room Description:	Customer ID:	Presentation
		646500	
		Quantity:	File Name:
		1	PB2008DWG94

TYPICAL DRAWING
BATESVILLE, IN, 47006
UNITED STATES