

**Subject: EpiCare™ Powered Telescoping Ceiling Column or Support Arm
(P680CPT/P680-PT or P681)—Remote Switch Installation
Instruction Sheet—P680-SR or P680-DR**

Tools required: Phillips head screwdriver Box knife

Parts required: None

Setup

NOTE:

For the purpose of this instruction sheet, the installation instructions are given for a single (remote) pneumatic switch (P680-SR). The same installation instructions for the double (remote) pneumatic switch (P680-DR) apply. The only difference between the two switches are the number of pneumatic hose bundles coming out of the junction box. This installation instruction is also written for hook up to a powered telescoping column (P680CPT/P680-PT). The installation instructions for the vertical adjustable arm (P680SR/DR) is the similar.

1. If necessary, remove the single remote pneumatic (remote) switch (A) with attached hose bundle (B) (see figure 1 on page 2).

NOTE:

For the purpose of this instruction sheet the ceiling column is shown. The installation instructions are the same for the pneumatic arms.

2. Make sure the rough-in plate (J) has been installed. Refer to the *EpiCare Telescoping Ceiling Column Rough-In—P684CTP or P684-TP—Installation Instruction Sheet* (see is197).

NOTE:

The rough-in plate (J) may not be installed, but an opening or location where the rough-in plate will be installed must be known. Under these circumstances you can install the (remote) switch (A) before the rough-in plate.

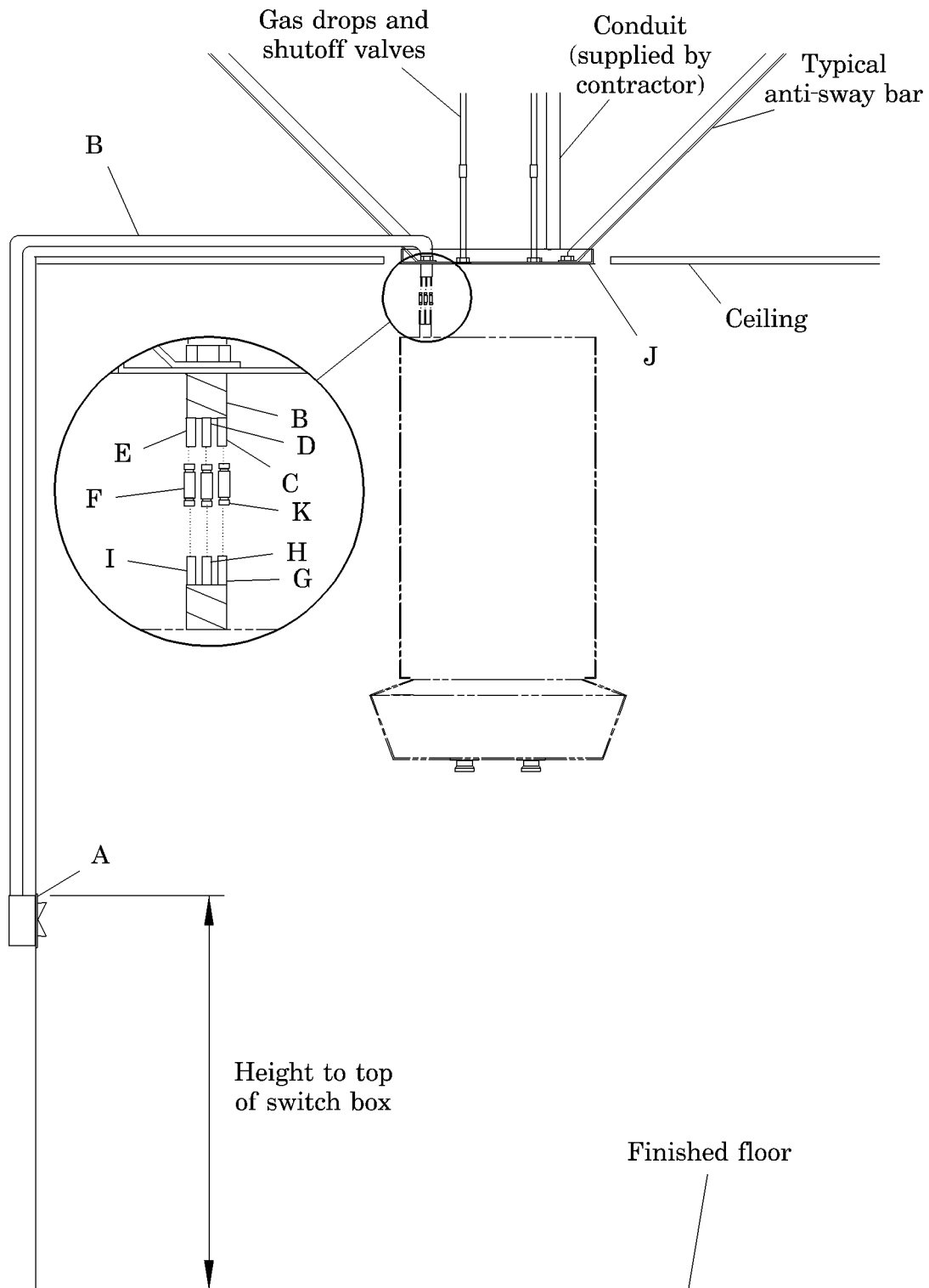
3. Determine where the (remote) switch (A) will be located in relationship to the rough-in plate (J). Make sure the 25 foot hose bundle will reach the intended location of the rough-in plate when the hose bundle (B) is routed.

NOTE:

The hose bundle (B) holds the three lines (C), (D), and (E) (see figure 2 on page 3). The three lines are color coded as follows: red = up, black = down, and clear/opaque = pneumatic supply line.

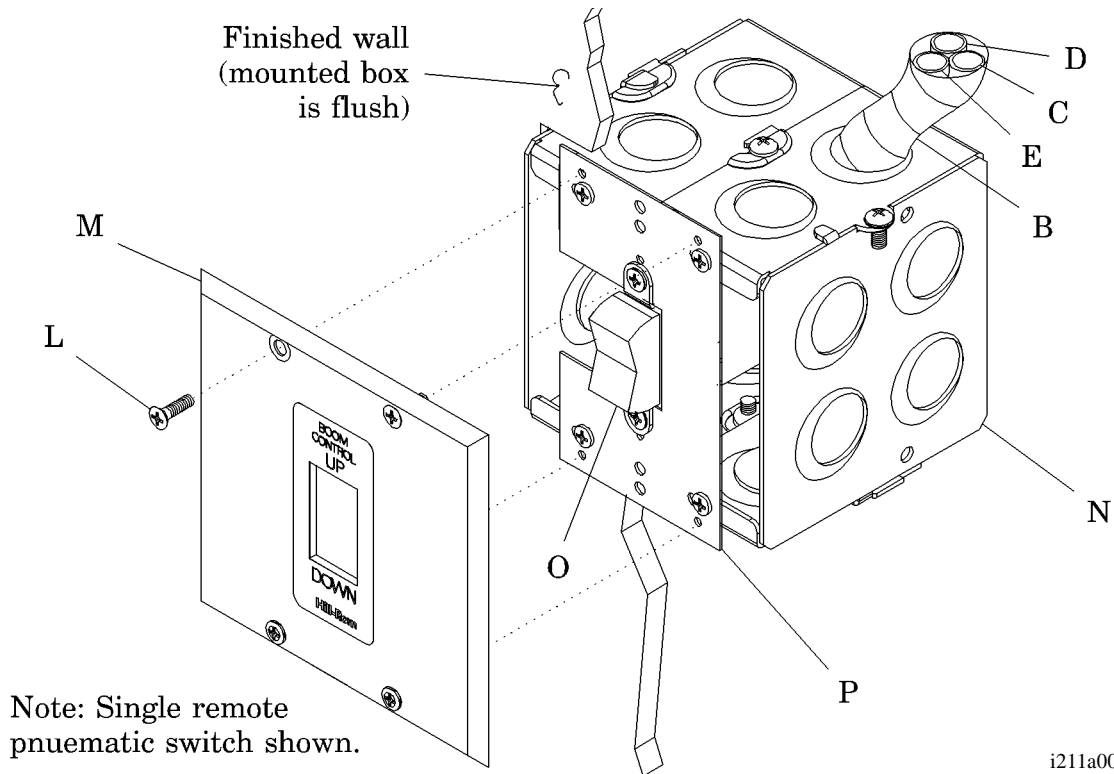
4. Remove the four screws (L) and faceplate (M) from the masonry box (N). Keep the faceplate and screws for later installation.

Figure 1. Remote Switch Installation



i211a001

Figure 2. Faceplate Installation



5. If necessary, use a box knife and cut a hole in the finished wall 4" x 4" (101.6 mm x 101.6 mm). Make sure the faceplate (M) will cover the hole after the box is installed. Make sure the height to the top of the hole is the same height as a normal electrical wall switch opening.

Installation

1. Install the masonry box (N) on a stud. Make sure the height to the top of the masonry box is approximately the same height as a normal electrical wall switch.



CAUTION:

Do not puncture the hoses in the hose bundle when installing the nails in the masonry box. Damage to the equipment will occur.

2. Secure the masonry box (N) on the top and bottom. Make sure the masonry box is adjusted out from the stud, so the sub-plate (P) will be flush with the finished wall when it is installed.
3. Route the hose bundle (B) to the rough-in plate (J) (see figure 1 on page 2). Allow any excess hose bundle to hang through the rough-in opening. Make sure you do not kink the pneumatic lines during installation.

4. If necessary, use a sharp knife to trim any excess hose from the hose bundle (B). Make sure you leave at least 12" (304.8 mm) hanging from the rough-in plate (J). Make sure the ends of the remaining hoses (C), (D), and (E) are cut off squarely.
5. Secure the hose bundle (B) incrementally as required to hold the hose bundle up, and out of the way of the installation of the finished wall and ceiling. Make sure the hose bundle is not pinched.
6. If the hoses (C), (D), and (E) are not cut off perpendicular to the length of the hose, the hose connectors (F) may not seal properly.

NOTE:

The hose connectors (F) are part of the ceiling column or arm assemblies, and are installed by pushing on the quick-release ends (K) of the connectors, and fully inserting the hoses (C), (D), (E), (G), (H), or (I) and releasing the end. There should be some resistance felt as the tube end meets the O-ring inside the connector, so make sure the hoses (C), (D), (E), (G), (H), or (I) are fully seated.

7. After the finished wall is installed, install the faceplate (M) as follows (see figure 2 on page 3):
 - a. Put the faceplate (M) on the masonry box (N). Make sure the faceplate is installed with the UP on the label positioned above the switch assembly (O).
 - b. Using a phillips head screwdriver, install and tighten the four screws (L) to secure the faceplate (M) to the sub-plate (P).